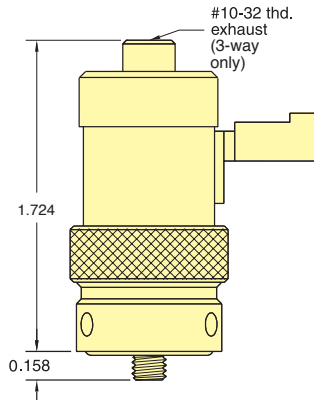


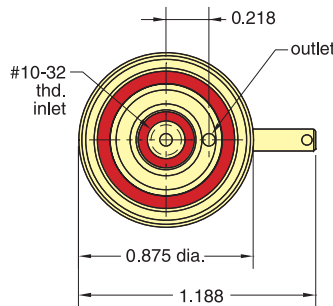
# EV, ET, EC SERIES 2- & 3-WAY NORMALLY-OPEN VALVES MANIFOLD MOUNT



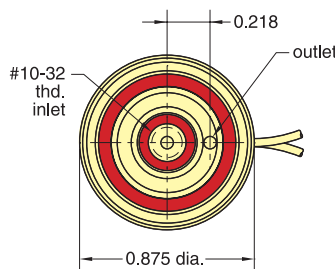
## ECN - M -



## ETN - M -



## EVN - M -



**Type:** Normally-Open 2- or 3-Way

**Medium:** Air (40 micron filtration)

**Temperature Range:** 30 to 180°F

**Power Consumption:** 0.67 watt

**Response:** <15 milliseconds

**Mounting:** Manifold

**Ports:** Manifold mounted with #10-32 stud

**Operating Range:** 90% to 150% of rated voltage

**Air Flow:** 0.9 scfm @ 100 psig;  
25 lpm @ 7 bar

**Pressure Range:** 28" Hg Vac. to 105 psig; 7 bar max

ECN, ETN & EVN series valves are 2- & 3-way N.O. solenoid valves. The Normally-Open inlet is through the center mounting stud, so the valves can be supplied directly from the manifold without external tubing.



For Cable and Connectors, see Page 201.

### NUMBERING SYSTEM



**Blank** - Buna-N Seals & Silicone Lube  
**S** - FKM Seals & PFPE Lube  
**C** - Connector  
**T** - Terminal Spades  
**V** - Wire Leads  
**2** - 2-Way  
**3** - 3-Way

**Voltages: \***  
**6** - 6 VDC  
**12** - 12 VDC  
**24** - 24 VDC

**Standard Options:**  
**V** - Fluorocarbon seals  
**Non-Standard Options:**  
**D** - Diode  
**E** - EPR seals

\* Consult factory for availability of non-standard voltages and other options